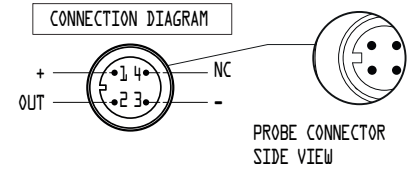
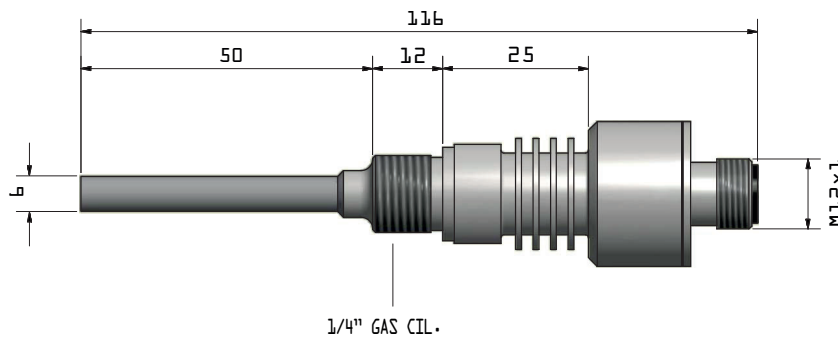


**Pixsys**<sup>®</sup>  
ELECTRONICS

**CODE:** **PTS-KB-6X050-B2V**  
**DESCRIPTION:** Temperature Sensor PT1000 Class B, AISI316 sheath, Ø 6 mm, M12, Transmitter 0..10 V

**OPERATING TEMPERATURE:** 0°C / +150°C (range)  
**IMMERSED MATERIAL:** Steel AISI 316L (food grade)  
**FITTING MATERIAL:** N.A.  
**SENSOR INSULATION:** MgO Magnesium Oxide >20Mohm @ 25°C (500VDC)  
**TIP TAPERING:** NO  
**CERTIFICATION:** NO

**TOTAL LENGTH (E):** 50 mm  
**SHEATH EXT. Ø (S):** 6 mm  
**SHEATH INT. Ø:** 5 mm  
**RTD RESPONSE:** 7,5 sec  
**COMPLIANCE**



PIN1 = +  
 PIN2 = OUT  
 PIN3 = -

J1	J2	°C	OUT (V)
RED	WHITE	0	0
		+75	5
		+150	10



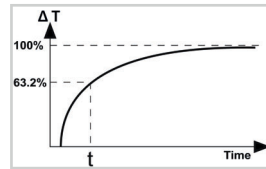
T. MAX 150° C

Insulation: >20 Mohm @ 25° C  
(500 VDC)

GENERAL TOLERANCE EN 22768-m	DRAWER: Matteo Cardi	PROD. CODE:
LINEAR DIMENSION: mm	CONTROL: Daniele Longhin	<b>PTS-KB-6X050-B2V</b>
UNAUTHORIZED REPRODUCTION FORBIDDEN	DRAWING/ED.: PTS_0022	DESCRIPTION: PT1000B, AISI316, Ø 6 mm, M12, Tr. 0..10V, 0/150°C
	REV./DATE: 00 / 30/01/2024	

STANDARD DIN EN 60751

Temperature C°	Tolerance PT1000 B Class (+/- C°)
-200	1.3
-100	0.8
0	0.3
100	0.8
200	1.3
300	1.8
400	2.3
500	2.8



RTD response time with steel tube AISI-316/304 MgO insulated, conforming to B.S. 1904/1984/CEI60751. 50mm immersion in water at a speed of 1m/sec. Calculated on 63.2 % of the thermal jump, depending on stem diameter and thickness.

**Pixsys srl**  
 Via Po, 16  
 30030 - Mellaredo di Pianiga  
 Venezia - Italia  
 Tel. +39 041 5190518  
 Fax +39 041 519002  
 Mail info@pixsys.net  
 www.pixsys.net



Document version: rel.01  
 Last update: 30/07/2023  
 Author: Matteo Cardi

**Ordering Code:**

PTS- [ ] - [ ] - [ ] - [ ]

Sensor type	
1B	PT100 CLASS B
KA	PT1000 CLASS A
KB	PT1000 CLASS B
5A	PT500 CLASS A
PK	PTC 1000 OHM
P2	PTC 120 OHM
N1	NTC 10K (β3435K)
N2	NTC 10K (β3694K)
N3	NTC 2252 (β3976K)
TH	NI100
I2	NI120
TK	THERMOCOUPLE K
TJ	THERMOCOUPLE J
TS	THERMOCOUPLE S


Process connection	
Examples:	
0	NN
1	1/8" MALE GAS FIXED UNDERHEAD
2	1/4" MALE GAS FIXED UNDERHEAD
3	1/2" MALE GAS FIXED UNDERHEAD
4	1" MALE GAS FIXED UNDERHEAD
...	
6	1/8" MALE NPT GAS FIXED UNDERHEAD
7	1/4" MALE NPT GAS FIXED UNDERHEAD
8	1/2" MALE NPT GAS FIXED UNDERHEAD
9	1" MALE NPT GAS FIXED UNDERHEAD
...	
A	1/8" MALE GAS SLIDING
B	1/4" MALE GAS SLIDING
C	1/2" MALE GAS SLIDING
D	1" MALE GAS SLIDING

Head/Cable/Connector	
Examples:	
A	HEAD DIN A
B	HEAD DIN B
C	HEAD MINIDIN
T	HEAD DIN A ATEX
X	HEAD DIN B ATEX
Y	HEAD MINIDIN ATEX
M	CONNECTOR M12 4 PIN
R	CONN. M12 4 PIN + TRANSM. 4..20 mA / -100..+100 °C
V	CONN. M12 4 PIN + TRANSM. 0..10 V / 0..+150 °C
W	CONN. M12 4 PIN + TRANSM. 0..10 V / -100..+100 °C
...	
1	GSC SILICONE CABLE 2m
2	PVC CABLE 2m
3	TTS CABLE 2m
4	SPECIAL CABLE 2m
5	GSC SILICONE CABLE 3m
6	PVC CABLE 3m
7	TTS CABLE 3m
8	SPECIAL CABLE 3m
9	FREE
Z	CUSTOM


Sheath diameter and length (S x L)	
Examples:	
6X050	Ext. Ø 6 mm x 50 mm
6X100	Ext. Ø 6 mm x 100 mm
6X200	Ext. Ø 6 mm x 200 mm
6X400	Ext. Ø 6 mm x 400 mm
8X250	Ext. Ø 8 mm x 250 mm
4X050	Ext. Ø 4 mm x 50 mm
AX150	Ext. Ø 10 mm x 150 mm
6X1M0	Ext. Ø 6 mm x 1 m
8X1M5	Ext. Ø 8 mm x 1,5 m
...	

Sheath material	
A	STEEL AISI304 SHEATH
B	STEEL AISI316 SHEATH
C	STEEL AISI308 SHEATH
M	STEEL AISI304 SHEATH, MgO INSULATION
N	INCONELL600 SHEATH
K	SINGLE CERAMIC SHEATH
Y	DOUBLE CERAMIC SHEATH

**Suggested cables:**



CODE:  
**CAB-M12FD5A3R**  
PVC 5 poles M12 female straight cable



CODE:  
**CAB-M12FA5A3R**  
PVC 5 poles M12 female angled cable

<b>OPERATING TEMPERATURE:</b>	-25°C / +80°C
<b>HOUSING / MOLDED BODY:</b>	TPU
<b>INSERT:</b>	TPU
<b>CONTACT:</b>	CuSn pre-nickel and 0.3 microns gold-plated
<b>KNURLED SCREW:</b>	CuZn, nickel-plated
<b>O-RING:</b>	FKM
<b>PROTECTION DEGREE:</b>	IP67 in locked position
<b>CONTACT RESISTANCE:</b>	≤ 5 mΩ
<b>NOMINAL CURRENT AT 40°C:</b>	4 A
<b>NOMINAL/RATED VOLTAGE:</b>	240 V / 250 V
<b>TEST VOLTAGE:</b>	2.0 kV eff. / 60 s
<b>INSULATION RESISTANCE:</b>	> 10 <sup>9</sup> Ω
<b>POLLUTION DEGREE:</b>	3