


CNV520



Modbus Signal converter

- ✓ Converter Modbus TCP/IP to Modbus RTU
- ✓ User interface and configuration via web server
- ✓ WiFi Access Point mode
- ✓ Multi client connection up to 4 masters / 128 slaves



Pixsys Srl

Via Po 16, I - 30030 Mellaredo di Pianiga VE

Ph. +39 041 519 0518 Fax +39 041 519 0027

Mail sales@pixsys.net

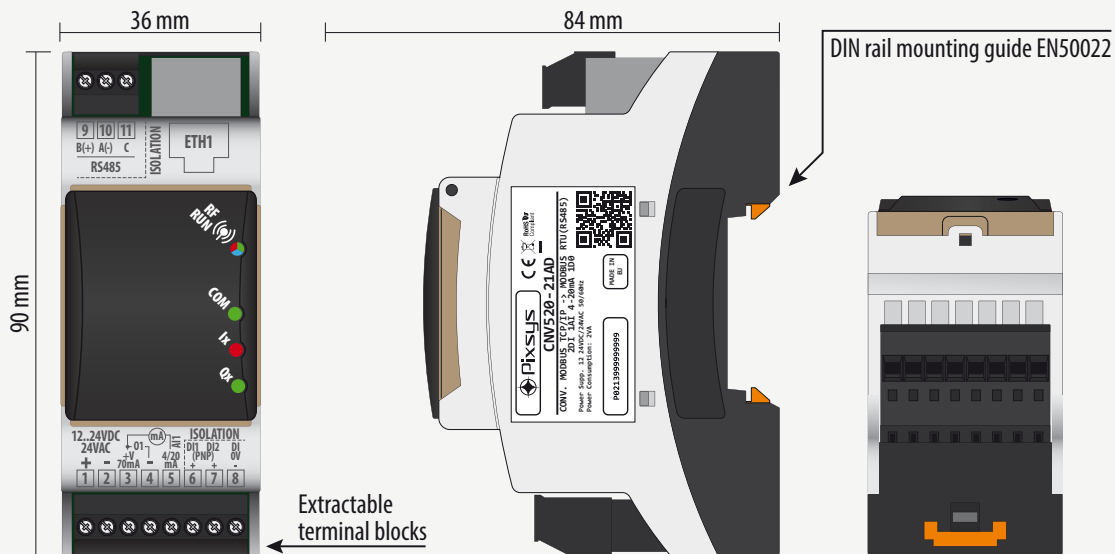


WWW.PIXSYS.NET

CNV520

DIMENSIONS (mm)

L	H	W
36	90	84



MAIN FEATURES

BOX	36 x 90 x 84 mm (DIN43880, 2 moduli DIN rail mounting)
POWER SUPPLY	12..24VDC / 24 VAC \pm 15%
POWER CONSUMPTION	Typical 2W
OPERATING CONDITIONS	Temperature 0-45 °C, Humidity 35..95 RH%
MATERIAL	Noryl V0 self-extinguishing
WEIGHT	Approx. 250 g
SEALING	IP20 (box and terminal block)

I/O - CONNECTION

ANALOGUE INPUT	4...20mA 2 wires, current/loop (30000 points) \pm 0,2% F.S. - min. 100 ms (1...30 average filter)
2 DIGITAL INPUTS	PNP, galvanic isolation 2.5 kV
1 DIGITAL OUTPUT	PNP 24 VDC - 30 mA max
SERIAL COMMUNICATION	RS485 for Pixsys devices and third-party devices (Modbus RTU master), supports up to 128 nodes.
ETHERNET COMMUNICATION	Ethernet 10/100 Mbit, RJ45 (Modbus TCP slave), supports up to 4 Modbus TCP-IP clients

ORDERING CODES CNV520-21AD

Product Family
CNV520

I/Os
21 = 2 Digital Inputs, 1 Digital Output

Power Supply
A = 12V DC
D = 24V DC